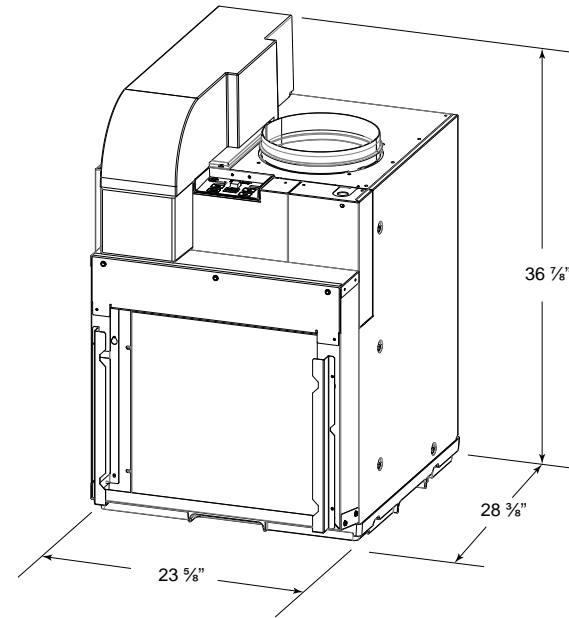


AZ9VH12EBM

GE Zoneline Heat Pump, Single Package
Vertical Air Conditioner, 265 Volt

Features	
Inverter Driven, Variable Speed Compressor	
Adjustable Speed Make Up Air	
Ultra-Low Heat Pump Operation (Down to 0 deg F)	
Streamlined Installation with Insta-Platform™ (sold separately)	
Self-Contained Drainage	
Fast-Connect Plumbing	
Quick Install Plenum (sold separately)	
Self-Aligning, Lock in Place System	
Onboard Diagnostics	
Rustproof Bulkhead and Base Pan	
Ultra-Quiet	
Smart HQ Wi-Fi (Optional)	

Warranty	
Parts Warranty	Limited 5-year
Labor Warranty	Limited 1-year entire appliance Limited 5-year sealed system
Warranty Notes	See written warranty for full details



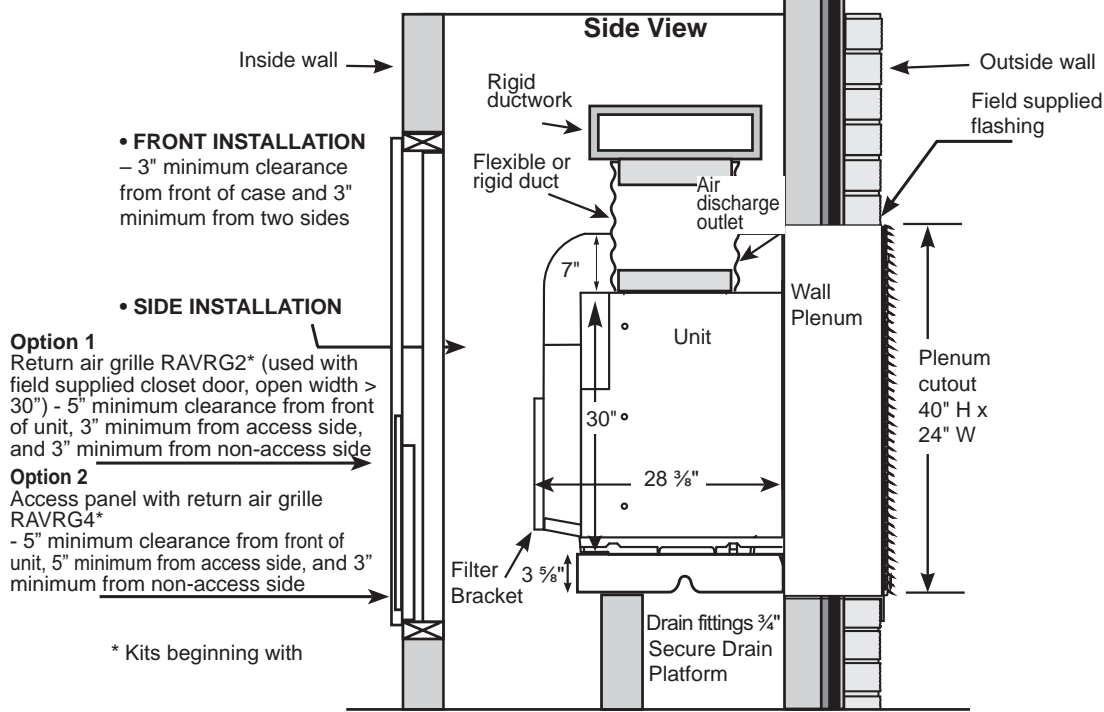
Performance Data at 265V	
Nominal Cool Capacity:	11,700 BTU
Cooling Capacity Range @95F:	5,200 -16,200 BTU
EER2:	11.6
SEER2:	15.5
Nominal Heating Capacity:	10,800 BTU
Heat Pump Capacity Range @47F:	4,500 - 13,000 BTU
COP@47F:	3.4
HSPF2:	6.5
Make Up Air CFM Range:	30-70 (no filter), 25-70 (with MERV13 Filter Kit)

POWER CONNECTION REQUIREMENTS (RESISTANCE HEAT)

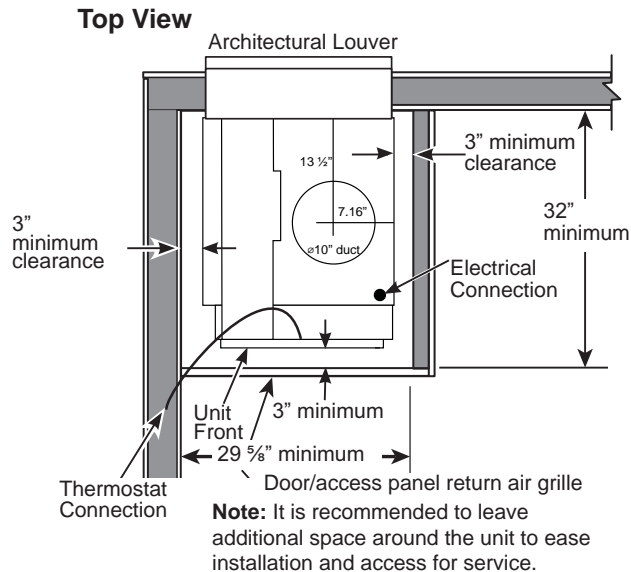
265 VOLT POWER CONNECTION KIT	12,000 BTUh		
	RAK515D	RAK520D	RAK530D
Heater BTUh	8,360	11,770	17,060
Total Watts	2,568	3,568	5,118
Heater Watts	2,450	3,450	5,000
Total Heating Amps	9.2	13	18.9
MCA	15	20	30
Recommend Protective Device (MOCP)	15 amp time delay fuse or breaker	20 amp time delay fuse or breaker	30 amp time delay fuse or breaker



Note: It is recommended to leave additional space around the unit to ease installation and access for service.

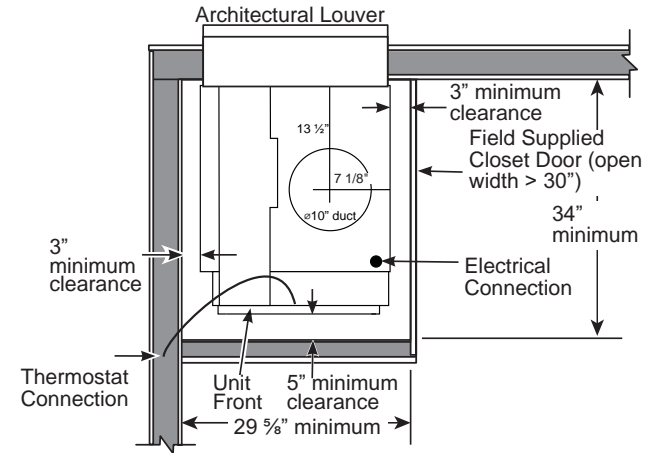


FRONT INSTALL



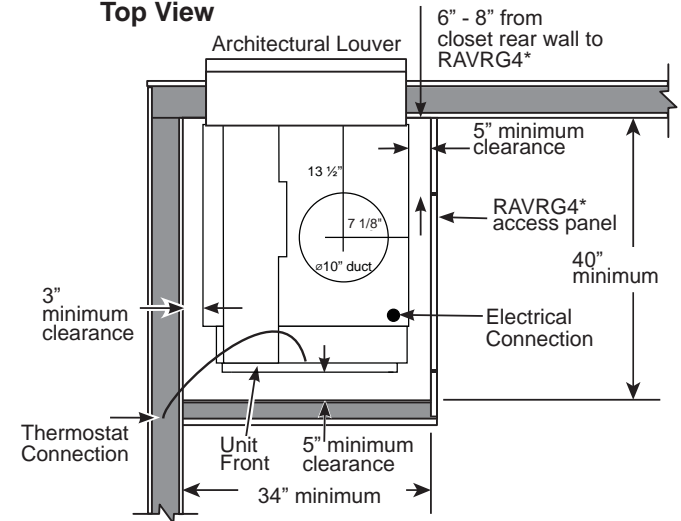
SIDE INSTALL Option 1 (RAVRG2* in Door or closet wall)

Top View



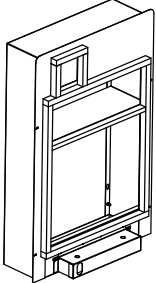

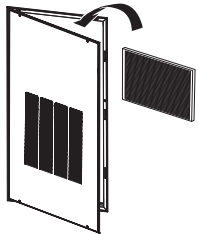
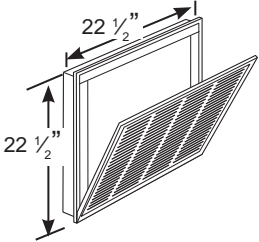
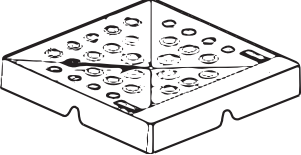

SIDE INSTALL Option 2 (RAVRG4*)

Top View

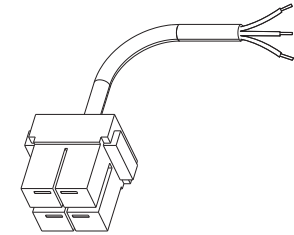


For RAVRG4*: After installing RAVDPLAT per instructions, slide rear of unit through RAVRG4* and rest it on platform in the closet. Rotate unit 90° so that rear of unit is facing the wall plenum. Follow remaining instructions for installing unit to wall plenum.

ACCESSORIES for NEW Installation

Accessory and model number	Appearance	Cutout Dimensions
Plenum (telescoping) RAVWPT15B 8"-15"D x 23 ³ / ₄ "W x 39 ³ / ₄ "H *excluding flange		<div style="border: 1px solid black; padding: 10px; width: fit-content; margin: auto;"> Cutout Dimensions: 24"W x 40"H </div>
Architectural Louver RAVAL4		Architectural Louver designed to fit the following Plenums: RAVWPT15B 8"-15"D x 23 ³ / ₄ "W x 39 ³ / ₄ "H
Access Panel with Return Air Grille (optional) RAVRG4*		<div style="border: 1px solid black; padding: 10px; width: fit-content; margin: auto;"> Cutout Dimensions: 28¹/₈"W x 55⁷/₈"H </div>
Return Air Grille (optional) RAVRG2*		<div style="border: 1px solid black; padding: 10px; width: fit-content; margin: auto;"> Cutout Dimensions: 20³/₈"W x 20³/₈"H </div>
Drain Platform RAVDPLAT		Not Applicable
MUA filter (optional) RAA13V		Not applicable

Power Connection – Direct Connect



Options:

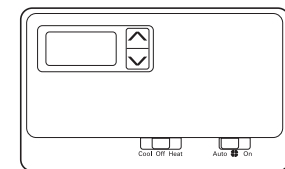
RAK515D – 265V, 15 Amp

RAK520D – 265V, 20 Amp

RAK530D – 265V, 30 Amp

Note: See page 1 for Electrical Data

Wall Thermostat (appearance may vary)



Options	Communication Type
RAK150VF2	Standard, 8-wire
RAK190V	Two Way, 5 wire