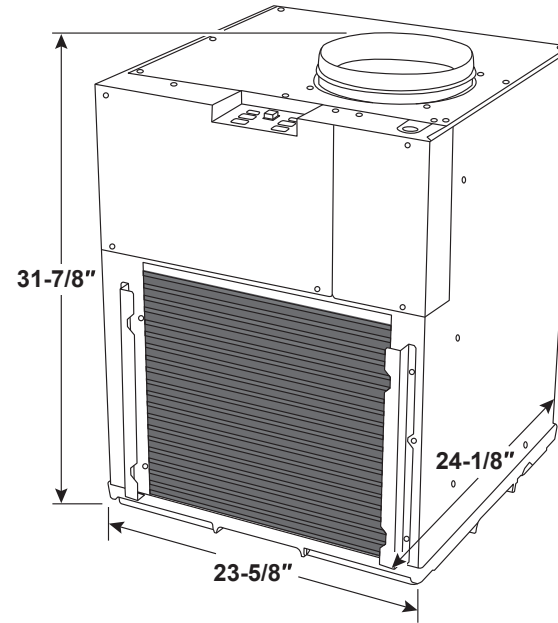


AZ9VH12DAC

GE Zoneline Heat Pump, Single Package
Vertical Air Conditioner, 230-208 Volt

Features	
Inverter Driven, Variable Speed Compressor	
Ultra-Low Heat Pump Operation (Down to 0 deg F)	
Streamlined Installation with Insta-Platform™ (sold separately)	
Self-Contained Drainage	
Fast-Connect Plumbing	
Quick Install Plenum (sold separately)	
Self-Aligning, Lock in Place System	
Onboard Diagnostics	
Rustproof Bulkhead and Base Pan	
Ultra-Quiet	
Smart HQ Wi-Fi (Optional)	

Warranty	
Parts Warranty	Limited 5-year
Labor Warranty	Limited 1-year entire appliance Limited 5-year sealed system
Warranty Notes	See written warranty for full details



Performance Data at 230V	
Nominal Cool Capacity:	11,700 BTU
Cooling Capacity Range @95F:	5,200 -16,200 BTU
EER2:	11.6
SEER2:	15.5
Nominal Heating Capacity:	10,800 BTU
Heat Pump Capacity Range @47F:	4,500 - 13,000 BTU
COP@47F:	3.4
HSPF2:	6.5

POWER CONNECTION REQUIREMENTS (RESISTANCE HEAT)

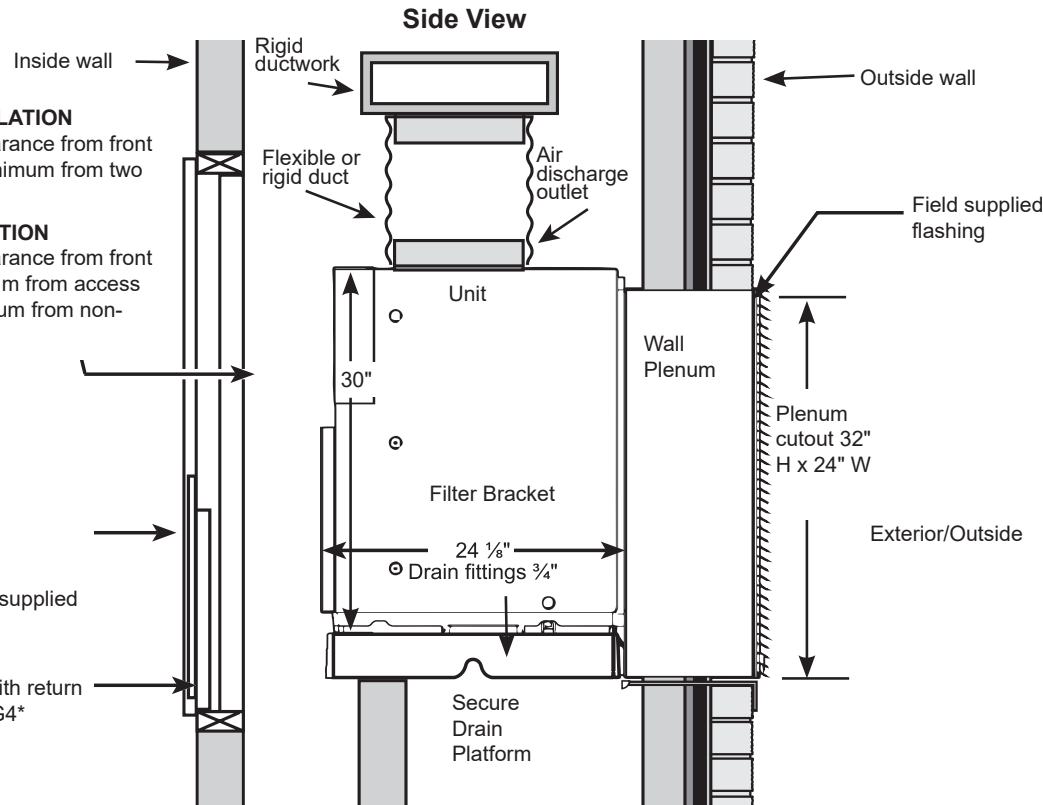
POWER CONNECTION KIT	230-208 VOLT 12,000 BTU _h		
	RAK315D	RAK320D	RAK330D
Heater BTU _h	8,360 / 6,838	11,770 / 9,629	17,060 / 13,952
Total Watts	2,568 / 2,122	3,568 / 2,940	5,118 / 4,207
Heater Watts	2,450 / 2,004	3,450 / 2,822	5,000 / 4,089
Total Heating Amps	10.7 / 9.6	15 / 13.6	21.7 / 19.7
MCA	15	20	30
Recommend Protective Device (MOCP)	15 amp time delay fuse or breaker	20 amp time delay fuse or breaker	30 amp time delay fuse or breaker



- **FRONT INSTALLATION**
– 3" minimum clearance from front of case and 3" minimum from two sides
- **SIDE INSTALLATION**
– 5" minimum clearance from front of case, 3" minimum from access side and 3" minimum from non-access side.

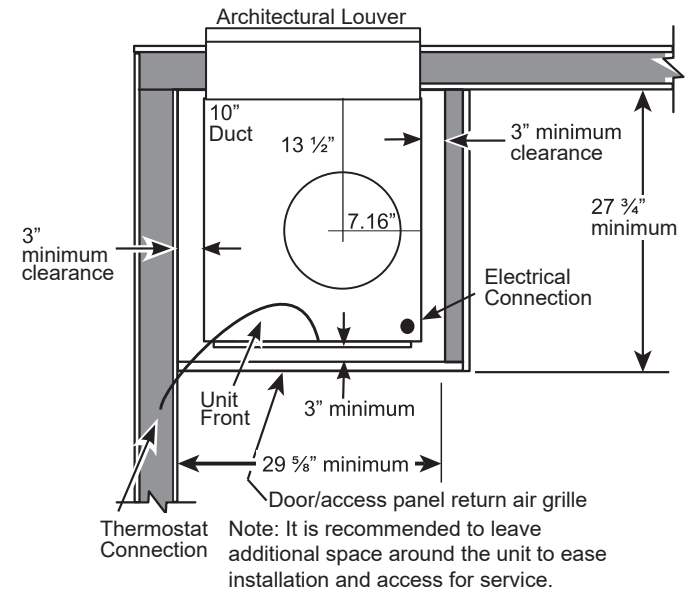
- Option 1**
Return air grille RAVRG2*
(used with field supplied closet door)
- Option 2**
Access panel with return air grille RAVRG4*

* Kits beginning with



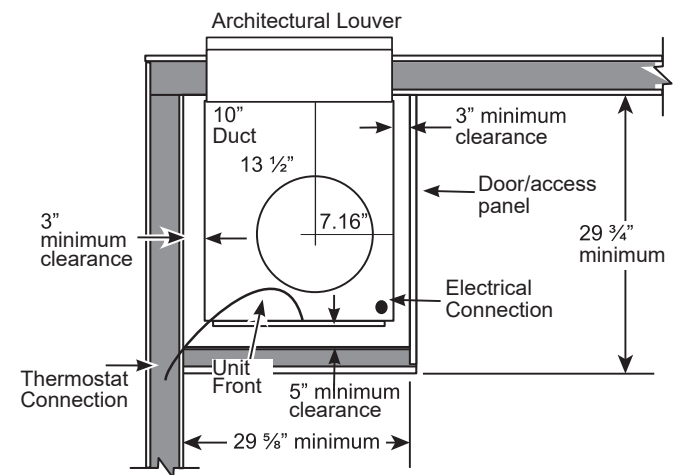
FRONT INSTALL

Top View

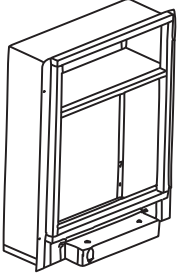

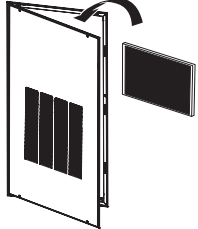
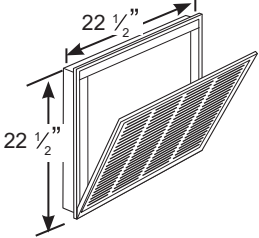
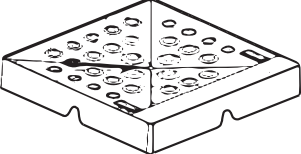


SIDE INSTALL

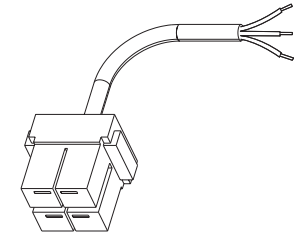
Top View



ACCESSORIES for NEW Installation

Accessory and model number	Appearance	Cutout Dimensions
Plenum (telescoping) RAVWPT9 or RAVWPT15		<div style="border: 1px solid black; padding: 10px; width: fit-content; margin: auto;"> Cutout Dimensions: 24"W x 32"H </div>
Architectural Louver RAVAL3		Architectural Louver designed to fit the following Plenums: RAVWPT9 RAVWPT15
Access Panel with Return Air Grille (optional) RAVRG4*		<div style="border: 1px solid black; padding: 10px; width: fit-content; margin: auto;"> Cutout Dimensions: 28¹/₈"W x 55⁷/₈"H </div>
Return Air Grille (optional) RAVRG2*		<div style="border: 1px solid black; padding: 10px; width: fit-content; margin: auto;"> Cutout Dimensions: 20³/₈"W x 20³/₈"H </div>
Drain Platform RAVDPLAT		Not Applicable

Power Connection – Direct Connect



Options:

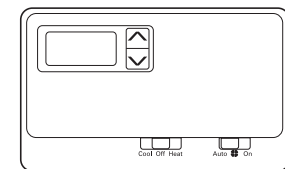
RAK315D – 230-208V, 15 Amp

RAK320D – 230-208V, 20 Amp

RAK330D – 230-208V, 30 Amp

Note: See page 1 for Electrical Data

Wall Thermostat (appearance may vary)



Options	Communication Type
RAK150VF2	Standard, 8-wire
RAK190V	Two Way, 5 wire