

ZONELINE®

Packaged Terminal Air Conditioners Product & Accessories Guide



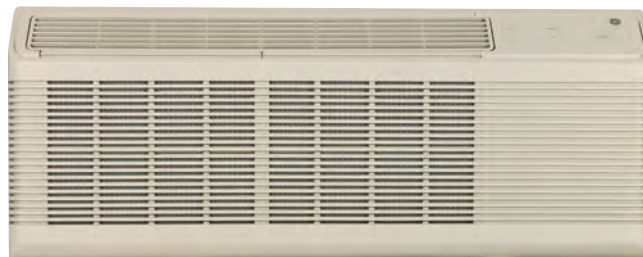
Allied Appliance

A division of ***Indoff***

ZONELINE® PACKAGED TERMINAL AIR CONDITIONERS

AZ45 SERIES | COOLING AND ELECTRIC HEAT

- Digital LED display
- Variable fresh air vent control
- Cross-flow blower
- Two DC fan motors
- Smart fan cooling
- Heat and Freeze Sentinel
- Remote thermostat capability
- Electronic temperature limiting
- Works with central desk control and through wall fans



AZ45 SERIES 230V/208V

BASE

	BTU	EER	Volts
AZ45E07DAB	7,200/7,000	13.4/13.4	230/208
AZ45E09DAB	9,700/9,600	12.1/12.1	230/208
AZ45E12DAB	11,600/11,500	11.7/11.8	230/208
AZ45E15DAB	14,200/14,100	10.5/10.5	230/208

CORROSION PROTECTION

	BTU	EER	Volts
AZ45E07DAC	7,200/7,000	13.4/13.4	230/208
AZ45E09DAC	9,400/9,300	11.8/11.8	230/208
AZ45E12DAC	11,600/11,500	11.7/11.8	230/208
AZ45E15DAC	14,000/13,900	10.3/10.4	230/208

DRY AIR 25

	BTU	EER	Volts
AZ45E07DAP	6,900/6,800	12.8/12.8	230/208
AZ45E09DAP	9,400/9,300	12.1/12.1	230/208
AZ45E12DAP	11,200/11,100	11.4/11.5	230/208

AZ45 GE ZONELINE® WITH MAKEUP AIR

Includes all AZ45 features plus:

- Delivers 25-50 CFM of continuous, Makeup Air
- Dehumidifies incoming air when outdoor relative humidity is above 55% and outdoor temperatures are above 50 degrees F
- Motorized vent door
- May reduce the need for rooftop units

AZ65 SERIES | HEAT PUMP WITH MAKEUP AIR

Includes all resistant heat Makeup Air features, plus:

- Staged heating
- Heat pump with back up resistance heat option
- Reverse cycle defrost

MAKEUP AIR

	Cooling BTU	Heating BTU	EER	COP*	Volts
AZ65H07DBM	7,000/7,000	6,200/6,100	12.5/12.5	4.0/4.0	230/208
AZ65H09DBM	9,200/9,100	8,000/7,900	11.3/11.3	3.3/3.3	230/208
AZ65H12DBM	11,500/11,400	10,200/10,000	11.2/11.2	3.5/3.5	230/208
AZ65H15DBM	14,000/13,800	13,200/13,000	10.1/10.1	3.2/3.2	230/208

MAKEUP AIR

	Cooling BTU	Heating BTU	EER	COP*	Volts
AZ65H07EBM	6900	6000	12.5	3.9	265
AZ65H09EBM	9,200	8,100	11.5	3.6	265
AZ65H12EBM	11,600	10,000	11.3	3.4	265

NOTE: Because Makeup Air increases room BTU load requirements and requires additional PTAC cooling or heating, the building's electrical needs may be impacted.

NOTE: Makeup Air models listed above are not recommended for installation within two miles of coastal areas.

NOTE: It is strongly recommended to install Makeup Air with wall thermostats.

Specifications subject to change.

ZONELINE® PACKAGED TERMINAL AIR CONDITIONERS

AZ65 SERIES | HEAT PUMP

Includes all resistant heat features, plus:

- Staged heating
- Heat pump with back up resistance heat option
- Reverse cycle defrost

AZ65 SERIES 230V/208V

BASE

	Cooling BTU	Heating BTU	EER	COP*	Volts
AZ65H07DAB	7,100/6,900	6,200/6,100	13.0/13.0	4.0/4.0	230/208
AZ65H09DAB	9,700/9,600	8,100/8,000	12.2/12.2	3.7/3.7	230/208
AZ65H12DAB	11,900/11,800	10,400/10,300	11.6/11.8	3.6/3.6	230/208
AZ65H15DAB	14,400/14,200	13,500/13,300	10.5/10.5	3.2/3.2	230/208

CORROSION PROTECTION

	Cooling BTU	Heating BTU	EER	COP*	Volts
AZ65H07DAC	7,100/7,000	6,200/6,100	13.0/13.0	4.0/4.0	230/208
AZ65H09DAC	9,600/9,500	8,100/8,000	12.2/12.2	3.7/3.7	230/208
AZ65H12DAC	11,800/11,600	10,300/10,200	11.8/11.8	3.6/3.6	230/208
AZ65H15DAC	14,400/14,200	13,200/13,000	10.4/10.4	3.2/3.2	230/208

INTERNAL CONDENSATE REMOVAL

	Cooling BTU	Heating BTU	EER	COP*	Volts
AZ65H07DAD	7,000/6,900	6,200/6,000	13.0/13.0	4.0/4.0	230/208
AZ65H09DAD	9,600/9,500	8,200/8,000	12.0/12.0	3.6/3.6	230/208
AZ65H12DAD	11,800/11,600	10,400/10,200	11.5/11.5	3.5/3.5	230/208
AZ65H15DAD	14,100/14,100	13,200/13,000	10.3/10.3	3.2/3.2	230/208

AZ65 SERIES 265V

CORROSION PROTECTION

	Cooling BTU	Heating BTU	EER	COP*	Volts
AZ65H07EAC	7,000	6,200	12.8	3.9	265
AZ65H09EAC	9,500	8,100	11.7	3.6	265
AZ65H12EAC	11,500	10,000	11.2	3.5	265
AZ65H15EAC	14,000	13,200	10.0	3.1	265

INTERNAL CONDENSATE REMOVAL

	Cooling BTU	Heating BTU	EER	COP*	Volts
AZ65H07EAD	7,000	6,200	12.8	3.9	265
AZ65H09EAD	9,500	8,100	11.7	3.5	265
AZ65H12EAD	11,600	10,000	11.4	3.4	265
AZ65H15EAD	14,200	13,300	10.3	3.2	265

Specifications subject to change.

*Coefficient of Performance

ZONELINE® PACKAGED TERMINAL AIR CONDITIONER SPECIFICATIONS

AZ45 SERIES 230V/208V

AZ45 series (typical) cooling with electric heat

230/208V Models	AZ45E07DAB	AZ45E09DAB	AZ45E12DAB	AZ45E15DAB
Cooling BTUH	7,200/7,000	9,700/9,600	11,600/11,500	14,200/14,100
EER (BTU/Watt)	13.4/13.4	12.1/12.1	11.7/11.8	10.5/10.5
Dehumidification Pts/Hr	1.64	2.7	3.5	4.6
Refrigerant type	R-410A	R-410A	R-410A	R-410A
CFM, indoor fan high	350	390	420	435
CFM, indoor fan low	220	260	290	330
Vent CFM (full open)*	33	38	38	47
Power factor	96%	98%	98%	97%
Sensible heat ratio @ 230 volts	72%	64%	62%	63%
Cooling Watts	535/520	800/790	960/900	1,350/1,320
Total Cooling Amperes, F.L.	2.5/2.6	3.6/3.9	4.7/5.0	6.2/6.6
Amperes, L.R.	13.5	21.0	29.5	31.5
Weight (Net/Ship)	90/100	103/113	106/116	106/116

AZ45 series cooling with electric heat (Dry Air 25)

230/208V Models	AZ45E07DAP	AZ45E09DAP	AZ45E12DAP
Cooling BTUH	6,900/6,800	9,400/9,300	11,200/11,100
EER (BTU/Watt)	12.8/12.8	12.1/12.1	11.4/11.5
Dehumidification Pts/Hr	2.4	3.4	4.2
Refrigerant Type	R-410A	R-410A	R-410A
CFM, indoor fan high	350	370	360
CFM, indoor fan low	220	260	270
Vent CFM (full open)*	40.0	44.0	44
Power factor	96%	97%	98%
Sensible heat ratio @ 230 volts	59%	58%	54%
Cooling Watts	535/530	775/765	970/960
Total Cooling Amperes, F.L.	2.5/2.7	3.5/3.8	4.4/4.7
Amperes, L.R.	13.5	21.0	29.5
Weight (Net/Ship)	96/106	109/119	112/122

AZ45 series cooling with electric heat (Corrosion Protection)

230/208V Models	AZ45E07DAC	AZ45E09DAC	AZ45E12DAC	AZ45E15DAC
Cooling BTUH	7,200/7,000	9,400/9,300	11,600/11,500	14,000/13,900
EER (BTU/Watt)	13.4/13.4	11.8/11.8	11.7/11.8	10.3/10.4
Dehumidification Pts/Hr	1.64	2.7	3.5	4.6
Refrigerant type	R-410A	R-410A	R-410A	R-410A
CFM, indoor fan high	350	390	420	435
CFM, indoor fan low	220	260	290	330
Vent CFM (full open)*	33	38	38	47
Power factor	96%	98%	98%	97%
Sensible heat ratio @ 230 volts	72%	64%	62%	63%
Cooling Watts	535/520	795/790	985/955	1,350/1,330
Total Cooling Amperes, F.L.	2.5/2.6	3.5/3.9	4.4/4.7	6.2/6.6
Amperes, L.R.	13.5	21	29.5	31.5
Weight (Net/Ship)	90/100	103/113	106/116	106/116

AZ45 series cooling with electric heat (Makeup Air)

230/208V Models	AZ45E09DBM	AZ45E12DBM
Cooling BTUH	9,100/9,100	11,700/11,500
EER (BTU/Watt)	11.5/11.5	11.6/11.6
Dehumidification Pts/Hr	2.4	3.3
Refrigerant type	R-410A	R-410A
CFM, indoor fan high	350	390
CFM, indoor fan low	220	240
Vent CFM	25-50	25-50
Power factor	98%	98%
Sensible heat ratio @ 230 volts	75%	69%
Cooling Watts	790/790	1,005/985
Total Cooling Amperes, F.L.	5.1/5.2	4.5/4.9
Amperes, L.R.	21.0	29.5
Weight (Net/Ship)	122/132	123/133

Specifications subject to change.

NOTE: Resistance heater wattage and amperage dependent on power connection kit. See page 8.

*Using RAKVENT1 kit



Listed by Underwriters Laboratories



ZONELINE® PACKAGED TERMINAL AIR CONDITIONER SPECIFICATIONS

AZ65 SERIES 230V/208V

AZ65 series heat pump with backup electric heat

230/208V Models	AZ65H07DAB	AZ65H09DAB	AZ65H12DAB	AZ65H15DAB
Cooling BTUH	7,100/6,900	9,700/9,600	11,900/11,800	14,400/14,200
EER (BTU/Watt)	13.0/13.0	12.2/12.2	11.6/11.8	10.5/10.5
Dehumidification Pts/Hr	1.7	2.6	3.7	4.8
Refrigerant type	R-410A	R-410A	R-410A	R-410A
CFM, indoor fan high	360	420	410	400
CFM, indoor fan low	205	300	300	290
Vent CFM (full open)*	38	40	45	44
Power factor	96%	98%	98%	97%
Sensible heat ratio @ 230 volts	79%	68%	62%	60%
Cooling Watts	545/530	795/785	1,020/995	1,365/1,340
Total Cooling Amperes, F.L.	2.5/2.7	3.6/3.8	4.6/4.9	6.2/6.6
Amperes, L.R.	13.5	21.0	29.5	31.5
Reverse cycle heat BTUH	6,200/6,100	8,100/8,000	10,400/10,300	13,500/13,300
Coefficient of Performance	4.0/4.0	3.7/3.7	3.6/3.6	3.2/3.2
Heat Pump Watts	450/440	645/630	845/835	1,195/1,160
Heat Pump Amperes	2.1/2.2	3.0/3.2	3.8/4.0	5.4/5.7
Weight (Net/Ship)	98/108	104/114	104/114	107/117

AZ65 series heat pump with backup electric heat (Internal Condensate Removal)

230/208V Models	AZ65H07DAD	AZ65H09DAD	AZ65H12DAD	AZ65H15DAD
Cooling BTUH	7,000/6,900	9,600/9,500	11,800/11,600	14,100/14,100
EER (BTU/Watt)	13.0/13.0	12.0/12.0	11.5/11.5	10.3/10.3
Dehumidification Pts/Hr	1.6	2.6	3.7	4.8
Refrigerant type	R-410A	R-410A	R-410A	R-410A
CFM, indoor fan high	360	420	410	400
CFM, indoor fan low	205	300	300	290
Vent CFM (full open)*	38.0	40.0	45.0	44.0
Power factor	96%	98%	98%	97%
Sensible heat ratio @ 230 volts	73%	68%	62%	60%
Cooling Watts	535/530	800/790	1,020/1,005	1,385/1,360
Total Cooling Amperes, F.L.	2.5/2.7	3.6/3.9	4.5/4.9	6.1/6.6
Amperes, L.R.	13.5	21.0	29.5	31.5
Reverse cycle heat BTUH	6,200/6,000	8,200/8,000	10,400/10,200	13,200/13,000
Coefficient of Performance	4.0/4.0	3.6/3.6	3.5/3.5	3.2/3.2
Heat Pump Watts	450/435	665/650	870/850	1,235/1,225
Heat Pump Amperes	2.1/2.2	3.0/3.2	3.8/4.0	5.3/5.6
Weight (Net/Ship)	100/110	108/118	106/116	110/120

AZ65 (typical) series heat pump with backup electric heat (Corrosion Protection)

230/208V Models	AZ65H07DAC	AZ65H09DAC	AZ65H12DAC	AZ65H15DAC
Cooling BTUH	7,100/7,000	9,600/9,500	11,800/11,600	14,400/14,200
EER (BTU/Watt)	13.0/13.0	12.2/12.2	11.8/11.8	10.4/10.4
Dehumidification Pts/Hr	1.6	2.6	3.7	4.8
Refrigerant type	R-410A	R-410A	R-410A	R-410A
CFM, indoor fan high	360	420	410	400
CFM, indoor fan low	205	300	300	290
Vent CFM (full open)*	38	40	45	44
Power factor	96%	98%	98%	97%
Sensible heat ratio @ 230 volts	73%	68%	62%	60%
Cooling Watts	545/535	795/785	995/975	1,365/1,365
Total Cooling Amperes, F.L.	2.5/2.7	3.6/3.9	4.5/4.9	6.2/6.7
Amperes, L.R.	13.5	21.0	29.5	31.5
Reverse cycle heat BTUH	6,200/6,100	8,100/8,000	10,300/10,200	13,200/13,000
Coefficient of Performance	4.0/4.0	3.7/3.7	3.6/3.6	3.2/3.2
Heat Pump Watts	450/445	645/630	835/815	1,205/1,180
Heat Pump Amperes	2.1/2.2	2.9/3.1	3.8/4.0	5.5/5.8
Weight (Net/Ship)	98/108	106/116	104/114	108/118

AZ65 series heat pump with backup electric heat (Makeup Air)

230/208V Models	AZ65H07DBM	AZ65H09DBM	AZ65H12DBM	AZ65H15DBM
Cooling BTUH	7,000/7,000	9,200/9,100	11,500/11,400	14,000/13,800
EER (BTU/Watt)	12.5/12.5	11.3/11.3	11.2/11.2	10.1/10.1
Dehumidification Pts/Hr	0.9	1.9	2.9	4.3
Refrigerant type	R-410A	R-410A	R-410A	R-410A
CFM, indoor fan high	360	420	410	400
CFM, indoor fan low	205	300	300	290
Vent CFM	25-50	25-50	25-50	25-50
Power factor	96%	97%	97%	97%
Sensible heat ratio @ 230 volts	89%	80%	73%	66%
Cooling Watts	560/560	810/805	1,025/1,015	1,370/1,350
Total Cooling Amperes, F.L.	3.7/3.9	4.9/5.2	5.8/6.2	6.2/6.6
Amperes, L.R.	13.5	21.0	29.5	31.5
Reverse cycle heat BTUH	6,200/6,100	8,000/7,900	10,200/10,000	13,200/13,000
Coefficient of Performance	4.0/4.0	3.3/3.3	3.5/3.5	3.2/3.2
Heat Pump Watts	450/440	705/695	850/835	1,200/1,180
Heat Pump Amperes	3.3/3.4	4.7/4.8	5.0/5.2	5.4/5.7
Weight (Net/Ship)	117/127	123/133	123/133	126/136

ZONELINE® PACKAGED TERMINAL AIR CONDITIONERS SPECIFICATIONS

AZ45 SERIES 265V

AZ45 series cooling with electric heat (Corrosion Protection)

265V Models	AZ45E07EAC	AZ45E09EAC	AZ45E12EAC	AZ45E15EAC
Cooling BTUH	7,100	9,500	11,500	14,700
EER (BTU/Watt)	13.2	11.6	11.7	10.5
Dehumidification Pts/Hr	1.64	2.7	3.5	4.6
Refrigerant type	R-410A	R-410A	R-410A	R-410A
CFM, indoor fan high	350	393	420	435
CFM, indoor fan low	220	260	290	330
Vent CFM (full open)*	33	38	38	47
Power factor	95%	94%	97%	97%
Sensible heat ratio @ 265 volts	72%	67%	62%	63%
Cooling Watts	540	815	990	1,390
Total Cooling Amperes, F.L.	2.2	3.3	4.0	5.5
Amperes, L.R.	11.7	16.5	23.5	29.0
Weight (Net/Ship)	95/105	103/113	106/116	107/117

AZ45 series cooling with electric heat (Dry Air 25)

265V Models	AZ45E09EAP	AZ45E12EAP
Cooling BTUH	9,400	10,900
EER (BTU/Watt)	12.1	11.0
Dehumidification Pts/Hr	3.5	4.2
Refrigerant type	R-410A	R-410A
CFM, indoor fan high	370	360
CFM, indoor fan low	260	270
Vent CFM (full open)*	44	44
Power factor	93%	97%
Sensible heat ratio @ 265 volts	58%	54%
Cooling Watts	780	995
Total Cooling Amperes, F.L.	3.2	3.9
Heating Amperes	16.5	23.5
Weight (Net/Ship)	109/119	112/122

AZ65 SERIES 265V

AZ65 (typical) series heat pump with backup electric heat (Corrosion Protection)

265V Models	AZ65H07EAC	AZ65H09EAC	AZ65H12EAC	AZ65H15EAC
Cooling BTUH	7,000	9,500	11,500	14,000
EER (BTU/Watt)	12.8	11.7	11.2	10.0
Dehumidification Pts/Hr	1.5	2.5	3.7	4.8
Refrigerant type	R-410A	R-410A	R-410A	R-410A
CFM, indoor fan high	360	420	410	400
CFM, indoor fan low	205	300	300	290
Vent CFM (full open)*	38	40	45	44
Power factor	95%	94%	97%	97%
Sensible heat ratio @ 265 volts	77%	68%	62%	60%
Cooling Watts	545	810	1,025	1,390
Total Cooling Amperes, F.L.	2.2	3.3	4.0	5.5
Amperes, L.R.	11.7	16.5	23.5	29.0
Reverse cycle heat BTUH	6,200	8,100	10,000	13,200
Coefficient of Performance	3.9	3.6	3.5	3.1
Heat Pump Watts	460	655	835	1,225
Heat Pump Amperes	1.9	2.8	3.5	4.9
Weight (Net/Ship)	98/108	104/114	104/114	109/119

AZ65 series heat pump with backup electric heat (Internal Condensate Removal)

265V Models	AZ65H07EAD	AZ65H09EAD	AZ65H12EAD	AZ65H15EAD
Cooling BTUH	7,000	9,500	11,600	14,200
EER (BTU/Watt)	12.8	11.7	11.4	10.3
Dehumidification Pts/Hr	1.5	2.5	3.7	4.8
Refrigerant type	R-410A	R-410A	R-410A	R-410A
CFM, indoor fan high	360	420	410	400
CFM, indoor fan low	205	300	300	290
Vent CFM (full open)*	38	40	45	44
Power factor	95%	94%	97%	97%
Sensible heat ratio @ 265 volts	77%	68%	62%	60%
Cooling Watts	545	810	1,015	1,375
Total Cooling Amperes, F.L.	2.2	3.3	4.1	5.5
Amperes, L.R.	11.7	16.5	23.5	29.0
Reverse cycle heat BTUH	6,200	8,100	10,000	13,300
Coefficient of Performance	3.9	3.5	3.4	3.2
Heat Pump Watts	460	670	850	1,210
Heat Pump Amperes	1.9	2.8	3.5	4.9
Weight (Net/Ship)	100/110	106/116	106/116	111/121

AZ65 series heat pump with backup electric heat (Makeup Air)

265V Models	AZ65H07EBM	AZ65H09EBM	AZ65H12EBM
Cooling BTUH	6,900	9,200	11,600
EER (BTU/Watt)	12.5	11.5	11.3
Dehumidification Pts/Hr	0.7	2.0	2.8
Refrigerant type	R-410A	R-410A	R-410A
CFM, indoor fan high	360	420	410
CFM, indoor fan low	205	360	300
Vent CFM	25-50	25-50	25-50
Power factor	93%	93%	96%
Sensible heat ratio @ 230 volts	88%	78%	72%
Cooling Watts	550	800	1,025
Total Cooling Amperes, F.L.	3.2	4.2	4.0
Amperes, L.R.	11.7	16.5	23.5
Reverse cycle heat BTUH	6,000	8,100	10,000
Coefficient of Performance	3.9	3.6	3.4
Heat Pump Watts	450	655	860
Heat Pump Amperes	2.9	3.8	3.5
Weight (Net/Ship)	117/127	123/133	123/133

Specifications subject to change.

NOTE: Resistance heater wattage and amperage dependent on power connection kit. See page 8.

*Using RAKVENT1 kit



Listed by Underwriters Laboratories



HOW TO ORDER

Contact your Allied Appliance Sales Representative to find out more information or to place an order. Please call us at 800-991-8480 or go to our website at www.goallied.com.

ORDER GE APPLIANCES PARTS DIRECT

When you order GE Appliances Parts direct, you'll be backed by quality and support you can count on:

- Original genuine parts
- Limited 1-year warranty
- Discounts and promotions
- Access to illustrated parts catalog
- Check status and availability

YOUR PRODUCT INFORMATION:

Locate your Zonline's serial number:

- Remove cover
- Find the base pan, located at the bottom of the unit
- Serial number will be printed on the base pan

MY ACCOUNT NUMBER

MY SALES MANAGER

CONTACT US FOR A QUOTE TODAY:

800-991-8480

alliedappliance@indoff.com

ZONELINE® WARRANTY

FOR THE PERIOD OF | GE APPLIANCES WILL REPLACE

ONE YEAR

From the date of the original purchase

Any part of the air conditioner which fails due to a defect in materials or workmanship. During this limited one-year warranty, GE will provide, free of charge, all labor and related service costs to replace the defective part.

FIVE YEARS

From the date of the original purchase

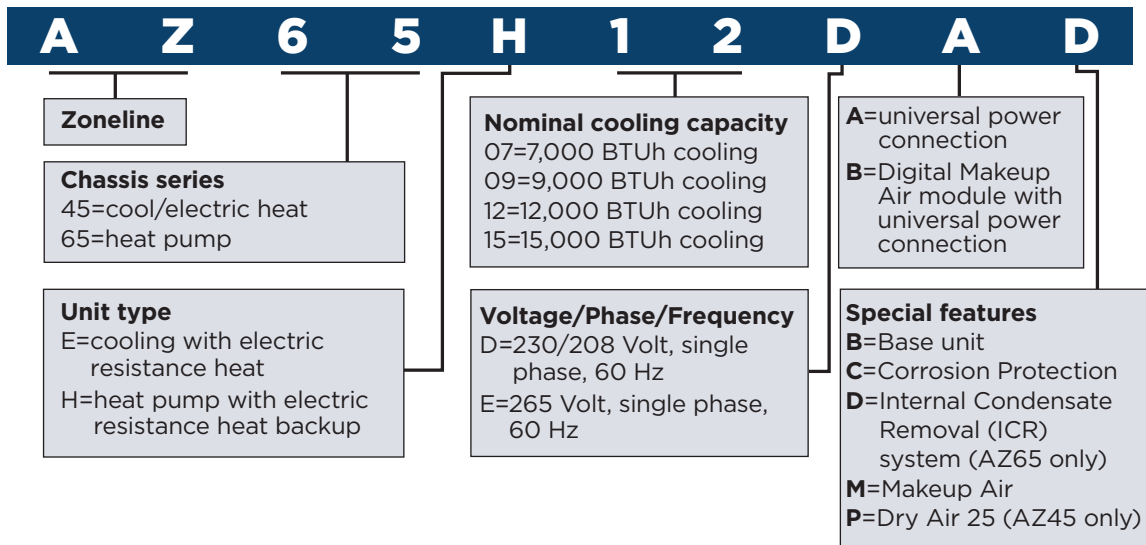
Sealed Refrigerating System - if any part of the Sealed Refrigerating System (the compressor, condenser, evaporator, and all connecting tubing, including the makeup air system) should fail due to a defect in materials or workmanship. During this limited five-year warranty, GE will provide, free of charge, all labor and related service costs to replace the defective part.

SECOND THROUGH FIFTH YEAR

From the date of the original purchase

Fan Motors, Switches, Heater, Heater Protectors, Compressor Overload, Solenoids, Circuit Boards, Auxiliary Controls, Thermistors, Freeze Sentinel, Frost Controls, ICR Pump, Capacitors, Varistors and Indoor Blower Bearing, if any of these parts should fail due to a defect in materials or workmanship. During this additional four-year limited warranty, GE will provide the replacement part free of charge. The customer will be responsible for any labor and related service costs.

ZONELINE® CHASSIS NOMENCLATURE



Listed by Underwriters Laboratories

