



55 dBA* Front Control Dishwasher

WDF330PAH



Stainless Steel
WDF330PAHS

Also available in:

- White **WDF330PAHW**
- Black **WDF330PAHB**

Capacity

Total Place Settings	13
----------------------	----

General Features & Properties

Heavy Cycle

High Temperature Wash Option

Heated Dry Option

ENERGY STAR® Certified

Industry's Best Selling Dishwasher Brand†

Designed, Engineered and Assembled in the U.S.A. with American Pride

Electrical Details

Amps	10
------	----

Volts	120
-------	-----

Hz	60
----	----

Certifications

ENERGY STAR® Certified	Yes
------------------------	-----

Technical Details

Dishwasher Type	Built-in
-----------------	----------

Control Location	Front
------------------	-------

Control Type	Push Button
--------------	-------------

Number of Wash Cycles	3
-----------------------	---

Number of Options	4
-------------------	---

dBA*	55
------	----

Number of Racks	2
-----------------	---

Tub Material	Plastic
--------------	---------

Wash System	Filter
-------------	--------

Wash System Type	Removable Filter
------------------	------------------

Number of Wash Arms	2
---------------------	---

Number of Wash Arms	2
---------------------	---

Number of Wash Arms	2
---------------------	---

Dimensions

Product Dimensions (H x W x D)	34-1/2" x 23-7/8" x 24-1/2"
--------------------------------	-----------------------------

Depth with Door Open 90°	49-1/2"
--------------------------	---------

Reference Material

[Dimension Guide](#)

[Install Guide](#)

[Use & Care Guide](#)

[Energy Guide](#)

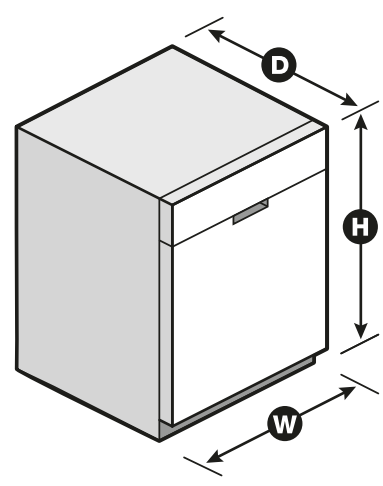
[Warranty](#)

Key Features & Benefits

1-Hour Wash Cycle
Clean dishes in half the time so your plates, pans and glasses are thoroughly cleaned up and taken care of in just an hour.**

Soil Sensor
Determines how dirty dishes are and adjusts the Normal cycle as needed to make sure dishes come out clean.

Normal Cycle
Use for normal amounts of food soil to clean up leftover messes from your day-to-day meals.



*Per IEC standards. **Compared to Normal cycle with lightly soiled loads. †Based on 12-month average of sales. TraQline 2018. NOTE: Dimensions are for planning purposes only. For complete details, see Installation Instructions packed with product. Specifications subject to change without notice. ©/™ © 2020. All rights reserved. Printed in the U.S.A. D200052XXA. WDF330PAHSPECSHEETV01.